

SPECIFICATIONS

MODEL	G23
DIMENSIONS	32"X18"X13
WEIGHT	52 LB.
ENGINE	
TYPE OHV	SINGLE CYLINDER, AIR COOLED, 4 CYCLE
DISPLACEMENT	33.5 CC
OUTPUT	1.4PS/6000 RPM
CARBURATION	DIAPHRAGM, W/PRIMER AND CHOKE
AIR CLEANER	WASHABLE, SEMI-WET
STARTER	RECOIL
IGNITION	ELECTRONIC,
SPARK PLUG	NGK
FUEL TANK SIZE	0.28 US GALLON
FUEL TYPE	REGULAR NO LEAD
IMPACT RATE	1200 BPM
IMPACT FORCE	40 FT-LB. MIN
IMPACT SECTION	
LUBRICATION OIL BATH	
LUBRICANT TYPE	SAE 10W-30
LUBRICANT VOL	5 OZ
LUBRICANT USE	1.3 OZ /8 HOURS
SHANK SIZE	1-1/4"X6" HEX

UNIT SERIAL NUMBER

SKIDRIL

P.O. BOX 8041
GREENSBORO, NC 27419
TEL: 800-843-3745

SKIDRIL

OPERATION & PARTS MANUAL

ENGINE BREAKER G30E

ANY PERSON
OPERATING THIS
MACHINE SHOULD
READ AND
UNDERSTAND THIS
MANUAL FIRST!

FOLLOW ALL SAFETY
INSTRUCTIONS



1-800-843-3745

PARTS LIST

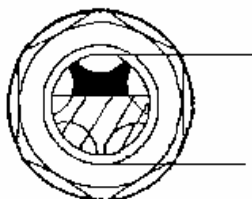
No.	Part No.	Name	Qty.
1	MA02E001A1	STAY	1
2	E002A3	GUIDE	1
3	E003A0	BUSHING	1
4	E004A1	LINER	1
5	E005A1	PISTON RING	1
6	E006A2	HAMMER PISTON	1
7	E007A0	PISTON	1
8	E008A1	BUSHING	1
9	E009A1	CON-ROD	1
10	E010A0	SPACER	1
11	E011A1	PIN	1
12	E012A1	BOLT	4
13	E013A0	COLLAR	1
14	E014A0	PINION	1
15	E015A1	CLUTCH SHAFT	1
16	E016A1	KEY	1
17	E017A1	BEARING COVER	1
18	E018A0	PACKING	1
19	E019A1	LEVER	1
20	E020A0	HANDLE SUPPORT	1
21	E021A1	LID	2
22	E025A0	PACKING	1
23	D051A0	CLUTCH COVER	1
24	D052A1	CRANK BRACKET	1
25	D053A2	CYLINDER COVER	1
26	D054A1	CRANK SHAFT	1
27	D055A2G	GUARD PIPE G30	1
28	D058A1	MUFFLER COVER	1
29	C071A2	CYLINDER COVER	1
30	C072B0	FRONT END	1
31	C073A0	CRANK CASE	1
32	MIKTE119A1	HANDLE GRIP	2
33	1120-414	HANDLE GRIP	1
34	1120-422	GRIP SHAFT	1
35	1110-402-01	LATCH	1
36	1110-410-01	LOCK SRPING	1
37	1014-112	PISTON PIN RING	2
38	1044-818A	COMP. PISTON PIN	1
39	1044-6190	BOLT M8X17	6
40	MB03E108A1	COLLET (1-1/4X6)	1
51	0G-50	O-RING	2
52	0G-55	O-RING	1
53	0S-44	O-RING	1
54	0S-50	O-RING	1
55	0S-90	O-RING	1
56	0G-75	O-RING	1

CONTENTS

	PAGE
CONTROL IDENTIFICATION	4
OPERATION	5
MAINTENANCE	7
EXPLODED VIEW	9
PARTS LIST	10
SPECIFICATIONS	12

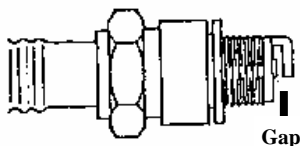
MAINTENANCE

M1: Impact Oil Sight



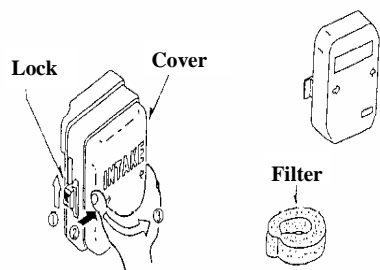
To Check Oil Level: Be sure Machine is in the vertical position and the oil level is somewhere between the two horizontal lines

M2: Spark Plug Gap



To Check Plug Gap: First remove and clean carbon or dirt using a wire brush. Using a feeler gauge check and adjust the plug gap to .024-.028".

M3: Carb Filter



To Check or Clean Air Filter: First unlock cleaner cover and twist cover off as shown. Wash filter in appropriate cleaner, then wring dry. Put a few drops of motor oil on it and squeeze to distribute. Re-install.

NOTICE:

***Do:** Always fill/check the oil level with the machine in the upright position.

NOTICE:

***Do not:** Over fill the machine with lubricant

NOTICE:

*Be sure to apply sufficient torque to the spark plug, to eliminate unwanted loosening.

NOTICE:

*Never operate the machine with a missing or damaged filter.

OPERATION

PREPARATION FOR USE

1. IMPACT LUBRICANT:

- REMOVE FILL CAP (ITEM 12, P4).
- KEEP BREAKER IN VERTICAL UPRIGHT POSITION WHILE FILLING.
- USE **10W30** 4 CYCLE OIL
- FILL TO THE LIP AND INSTALL FILL CAP.

2. FUELING:

- REGULAR NO-LEAD GASOLINE
- FUEL TANK WILL HOLD APPROX. 1 QUART.

3. OPERATION:

BEFORE OPERATION PERFORM DAILY INSPECTION PER MAINTENANCE SECTION OF THIS MANUAL.

A. FILL FUEL TANK (ITEM 1, P4).

B. ATTACH A TOOL FOR THE REQUIRED JOB (CHISEL, DRIVE HEAD ETC.) BY FIRST OPENING THE TOOL LATCH (ITEM 10, P4), BY PUSHING DOWN WITH YOUR FOOT.

C. INSERT TOOL AND CLOSE TOOL LATCH BY PUSHING UPWARDS.

NOTICE:

* Do not use 2 cycle or non 10W30 type oils.



WARNING:

***Do not:** Fuel a hot machine!

***Do not:** Smoke While Fueling!

***Do not:** Operate the machine without protective/safety clothing and equipment!

***Do not:** Use the machine without first contacting the Utilities for a 'Locate'!

***Do not:** Use the machine without reading and understanding the safety section of this manual!

OPERATION

D. START THE ENGINE BY:

1. CLOSE THE CHOKE LEVER (ITEM 14, P4) BY PUSHING IT UPWARDS.
2. PUSH THE PRIMER BUTTON (ITEM 13, P4) 3-5 TIMES.
3. PULL THE STARTER GRIP WHILE HOLDING THE THROTTLE (ITEM 15, P4) IN THE DOWN POSITION.
4. QUICKLY RELEASE THE THROTTLE LEVER WHEN THE ENGINE STARTS.
5. GRADUALLY OPEN THE CHOKE LEVER, BY PUSHING DOWNWARDS AS THE ENGINE WARMS UP.

E. STOPPING THE ENGINE:

-PRESS THE STOP BUTTON (ITEM 18, P4) TO KILL THE ENGINE.

-IF THE KILL SWITCH MALFUNCTIONS, YOU CAN STOP THE ENGINE BY PRESSING THE THROTTLE LEVER DOWN AND CLOSING THE CHOKE.

F. OPERATION:

1. BY PRESSING THE THROTTLE LEVER THE MACHINE SPEED AND IMPACT FORCE IS INCREASED.
2. YOU NEED NOT APPLY EXCESSIVE PRESSURE ON THE MACHINE DURING OPERATION.



WARNING:

*Discontinue use of the machine until repairs can be made!

MAINTENANCE

1. DAILY INSPECTION:

- A. LOOK FOR LOOSE OR MISSING NUTS, BOLTS OR SCREWS.
- B. CHECK THE STARTER ROPE FOR WEAR AND REPLACE IF REQUIRED.
- C. INSPECT THE TOOL BLADE AND SHANK FOR CRACKS AND DISCARD IF REQUIRED.
- D. CHECK THE IMPACT SECTION LUBRICANT LEVEL (ITEM 9, P4)., SEE **SKETCH M1 , P8 .**
- E. CHECK THE AIR CLEANER AND CLEAN IF REQUIRED, SEE **SKETCH M2, P8.**

2. PERIODIC MAINTENANCE:

<u>ITEM</u>	<u>TIME (HRS)</u>
CLEANING EXTERIOR	DAILY
CLEAN/ADJUST PLUG	50
REPLACE IMPACT OIL	150
INSPECT/REPLACE CLUTCH	300
REPLACE O-RING/SEAL	300
CLEAN EXHAUST PORT	300
CLEAN CARBURETOR	300

3. EXTENDED STORAGE:

- A. REMOVE FUEL FROM TANK AND BURN EXCESS IN ENGINE.
- B. PLACE A FEW DROPS OF 2 CYCLE OIL IN ENGINE THROUGH SPARK PLUG OPENING.
- C. CLEAN AND KEEP DRY.



WARNING:

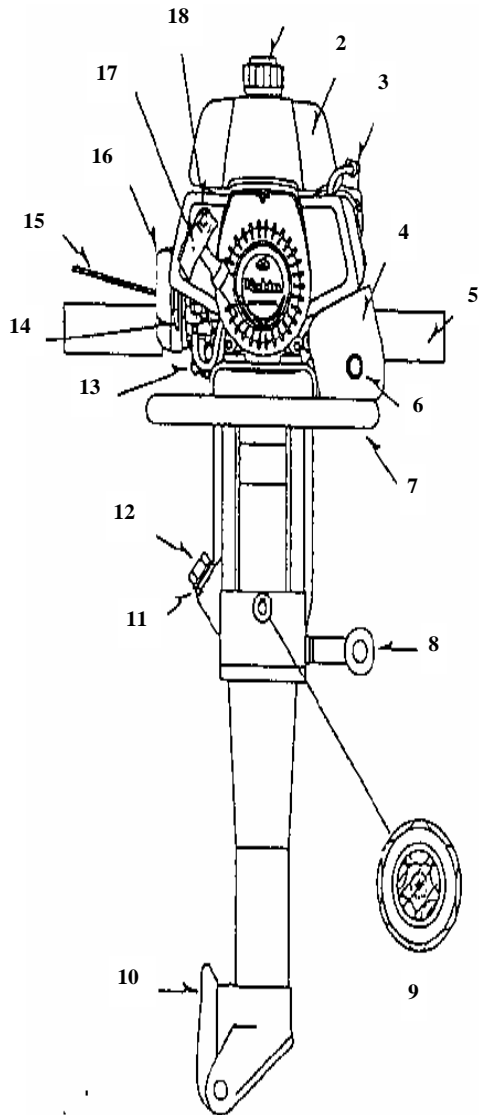
***Do not:** Operate a machine with missing, damaged or loose parts.

NOTICE:

*Failure to follow this schedule may result in damage to the machine, and could void the warranty.

*Service beyond what is indicated here should not be performed by untrained persons, and could void the warranty.

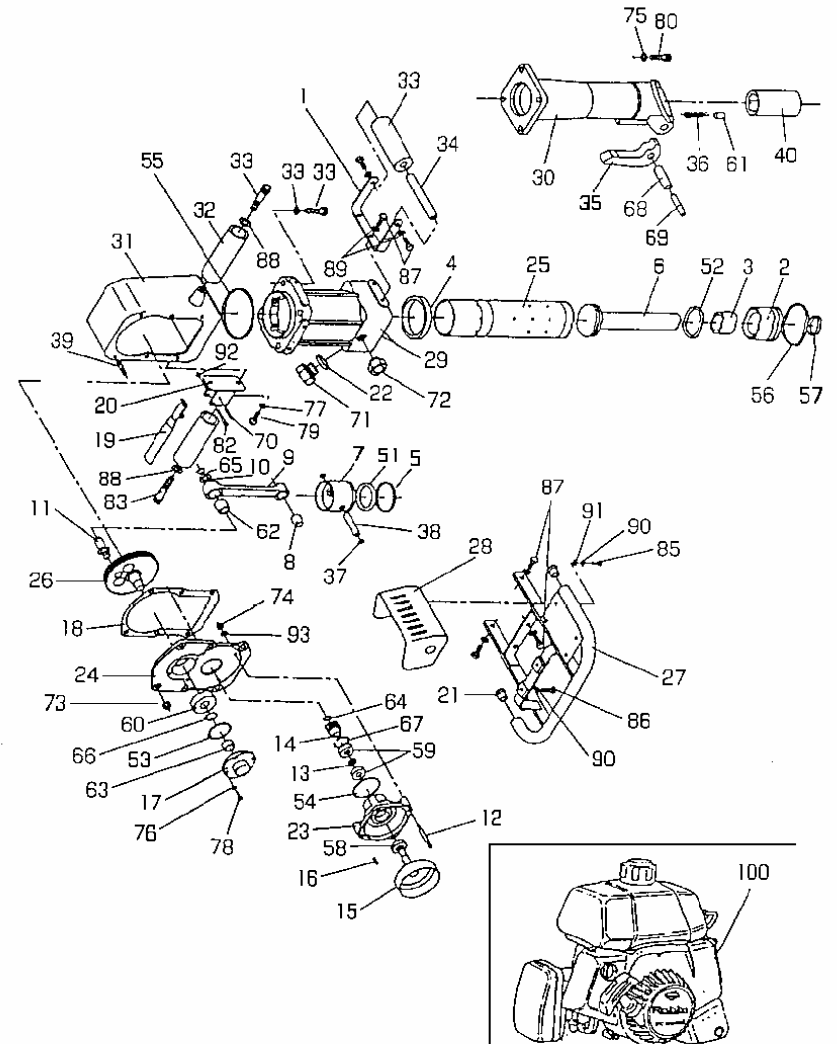
CONTROLS



ITEM

1. FUEL CAP
2. FUEL TANK
3. SPARK PLUG
4. MUFFLER COVER
5. HANDLE
6. EXHAUST OUTLET
7. GUARD HANDLE
8. SIDE HANDLE
9. IMPACT OIL SIGHT
10. TOOL LATCH
11. IMPACT OIL INLET
12. IMPACT OIL CAP
13. PRIMER PUMP
14. CHOKE LEVER
15. THROTTLE LEVER
16. AIR CLEANER
17. STARTER GRIP
18. STOP SWITCH

EXPLODED VIEW



SAFETY FIRST

READ, UNDERSTAND AND FOLLOW SAFETY GUIDELINES AND SAFE WORK PRACTICES.



TAKE NOTE OF **WARNINGS** IN THIS MANUAL AS THEY IDENTIFY INSTRUCTIONS INTENDED TO PREVENT INJURY TO YOU OR OTHERS.

NOTICE: **NOTICES:**, ARE INTENDED TO PREVENT DAMAGE TO THE MACHINE OR PROPERTY.



WARNING:

DO NOT: USE EQUIPMENT IN APPLICATIONS FOR WHICH IT IS NOT INTENDED.

DO NOT: USE IMPROPERLY TRAINED OR UNQUALIFIED PERSONNEL TO OPERATE THIS EQUIPMENT.

DO NOT: LEAVE MACHINE RUNNING UNATTENDED OR WHEN NOT IN USE.

DO NOT: REFUEL A HOT OR RUNNING ENGINE.

DO NOT: SPILL FUEL WHEN FUELING THE ENGINE.

DO NOT: SMOKE WHILE FUELING OR OPERATING THE MACHINE.

DO NOT: REFUEL NEAR AN OPEN FLAME OR SPARK.

DO NOT: OPERATE THE MACHINE WITHOUT PROPER SAFETY PROTECTION SUCH AS PROTECTIVE EYEWEAR, SAFETY BOOTS, EAR PROTECTION, HARD HAT, GLOVES ETC.

DO NOT: OPERATE THE MACHINE INDOORS OR IN AN AREA WHERE EXHAUST GASES MAY COLLECT., OR WHERE VENTILATION IS NOT ADEQUATE.

DO NOT: OPERATE THE MACHINE WITHOUT SOLID FOOTING OR WITH THE MACHINE ELEVATED ABOVE YOUR HEAD.

DO NOT: STORE THE MACHINE IN A PLACE OR POSITION THAT IT MAY FALL , DROP OR SLIDE FROM WHEN NOT IN USE.

PARTS LIST

No.	Part No.	Name	QTY
59	6001	BEARING (C-TYPE)	2
60	6204	BEARING (C-TYPE)	1
61	QC-12X18	ROLLER	1
62	TA 1520Z	NEEDLE BEARING	1
63	TLA1512Z	NEEDLE BEARING	1
64	CS-12	SNAP RING	1
65	CS-15	SNAP RING	1
66	CS-20	SNAP RING	1
67	CH-28	SNAP RING	1
68	PR16X50	SPRING PIN	1
69	PR10X50	SPRING PIN	1
70	PR 4X28	SPRING PIN	1
71	NK-2	OIL CAP	1
72	FG-10	OIL WINDOW	1
73	NFL-8	LOCK NUT W/FLANGE	6
74	NFL-6	LOCK NUT W/FLANGE	4
75	WF2L-10	SPRING WASHER	8
76	WF2L-5	SPRING WASHER	4
77	WF2L-8	SPRING WASHER	2
78	SBH-5X12	HEX SOCKET BOLT	4
79	SBH-8X20	HEX SOCKET BOLT	2
80	BH-10X30	HEX SOCKET BOLT	4
81	BH-10X35	HEX SOCKET BOLT	4
82	BH- 5X35	HEX SOCKET BOLT	1
83	BH-12X50	HEX SOCKET BOLT	1
84	BH-12X55	HEX SOCKET BOLT	1
85	B-6X12	HEX BOLT	4
86	B-6X25	HEX BOLT	2
87	B-8X20	HEX BOLT	8
88	WS-12	SPRING WASHER	2
89	WS-8	SPRING WASHER	8
90	WS-6	SPRING WASHER	6
91	WP-6	PLAIN WASHER	6
92	NN-5	NYLON NUT	1
93	W6S1	SEAL WASHER	4
100	EH035	ENGINE	1

NOTE: WHEN ORDERING PARTS PLEASE INCLUDE SERIAL NUMBER FOUND ON PAGE 12 OF THIS MANUAL.