

# SKIDRIL

## TOOLS LIST

**BG231/G30E/BH(ALL)/180/DH203  
G23/G30E/HB16/HB20/HD20**

**ANY PERSON  
USING TOOLS SHOULD  
FOLLOW ALL OSHA AND  
RELEVANT SAFETY  
REGULATIONS**

**TOOLS ARE NOT  
INTENDED TO BE USED  
ABOVE THE OPERATORS  
HEAD!**

**SEE SAFETY  
SECTION INSIDE!**



**SKIDRIL**  
P.O. BOX 8041  
GREENSBORO, NC 27419  
TEL: 800-843-3745  
FAX: 336-996-9930  
**WWW.SKIDRIL.COM**

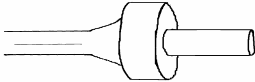
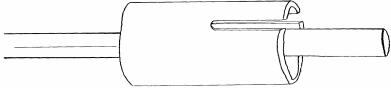
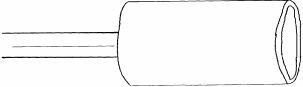
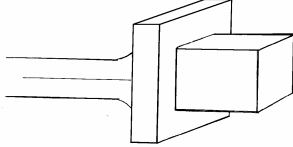
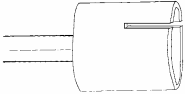
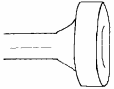

***Special tools made to order***

**1-800-843-3745**

Always measure i.d. for hollow posts and o.d. for solid pins

3

## POST/STAKE/ROD - DRIVERS

	Name	No.
	<u>ROUND POST</u>	
	1-1/2"	DP112
	1-5/8"	DP158
	2"	DP200
	2-1/2"	DP212
	<u>CHANNEL POST</u> (2-4LB)	DC102
	<u>RODS/PINS/T</u>	
	5/8	DF058
	3/4	DF034
	7/8	DF078
	1-7/8" (T-BAR)	DF178
	2"	DF200
	2-1/4"	DF214
2-3/8"	DF238	
2-1/2"	DF212	
	<u>SQUARE TUBE</u>	
	1-3/4"	DS134
	2"	DS200
	2-1/4"	DS214
2-1/2"	DS212	
	<u>MAIL BOX ANCHOR</u>	DM105
	<u>WEDGE DRIVER</u>	W2
	<u>WEDGE &amp; FEATHERS</u>	W3

*Other sizes and lengths available*

## CONTENTS

	Page
<b>SHANK SIZE SELECTION</b>	<b>1</b>
<b>BREAKING/TAMPING</b>	<b>2</b>
<b>DRIVING</b>	<b>3</b>
<b>DRILLING</b>	<b>4</b>

1

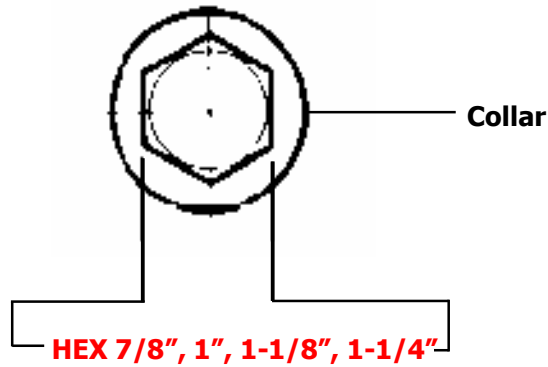
# SHANK SIZE CHART

Before ordering tools you will need to measure the dimensions of the shank end (portion which is inserted in the driver, breaker or drill), for an existing tool you are using.

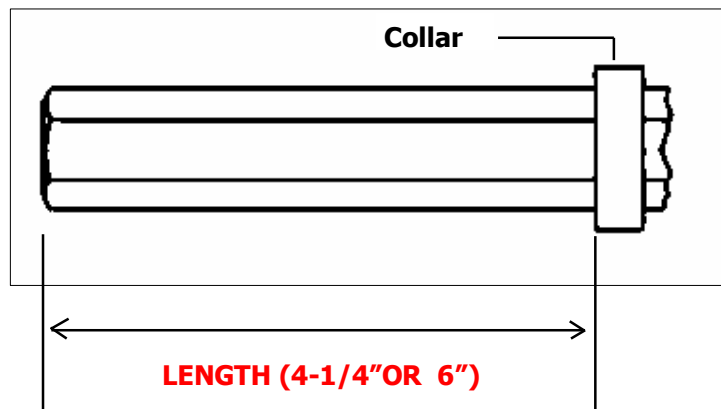
Do this by:

1. Measuring the shank hex (A), across the flats.
2. Measuring the shank length (B), above the collar.

## SHANK HEX (WIDTH) DIMENSION: (A)


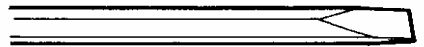

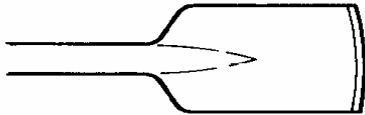
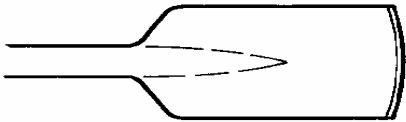

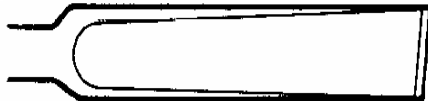
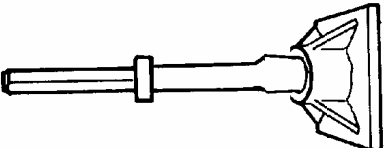


## TOOL SHANK LENGTH DIMENSION: (B)



2

# BREAKING/CUTTING

	Name	No.
	MOIL POINT	M14
	NARROW CHISEL	C10014
	WIDE CHISEL	C30014
	ASPHALT CUTTER	C50016
	SPADE	S50016
	TIE TAMPER	TT30016
	FROST WEDGE	W1
	SQUARE TAMPER	T6

Other sizes and lengths available

Remember the smaller the blade the greater force and less control you have

# SAFETY FIRST

**WARNING! INJURY OR DAMAGE COULD OCCUR.**

**ALWAYS FOLLOW ALL RELEVANT SAFETY RULES AND REGULATIONS OF OSHA AND YOUR EMPLOYER!**

**ALWAYS BE SURE TO WEAR PROTECTIVE EQUIPMENT SUCH AS SAFETY: EYEWEAR, BOOTS, HARD HAT, GLOVES AND HEARING PROTECTION!**

**IMPACT TOOLS HAVE A LIMITED LIFETIME AND WILL EVENTUALLY FAIL DUE TO FATIGUE, SO LOOK FOR SIGNS OF WEAR SUCH AS: DULLING, FLARING, CHIPPING OR CRACKING OF ALL PARTS OF THE TOOL AND DISCARD IMMEDIATELY IF REQUIRED!**

**NEVER ELEVATE THE TOOL AND MACHINE ABOVE YOUR HEAD!**

**NEVER ATTEMPT TO REPAIR OR SHARPEN A WORN OR DAMAGED TOOL!**

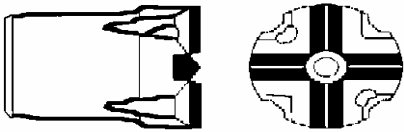

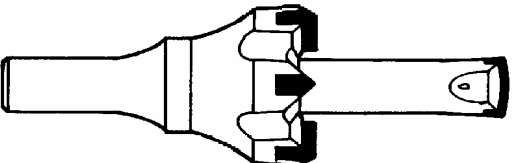
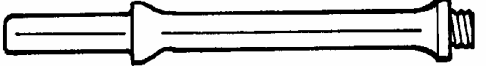
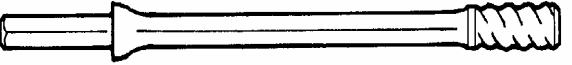
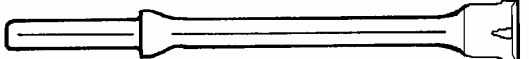
**ALWAYS BE SURE TO HAVE SAFE FOOTING!**

**ALWAYS USE PROPERLY TRAINED PEOPLE!**

**ALWAYS CALL UTILITIES FOR A LOCATE BEFORE BEGINNING WORK!**

# DRILL RODS & BITS

**4**

	Name	No.
	<u>H-BITS</u>	
	1-1/2"	DBH112
	1-5/8"	DBH158
	2"	DBH200
	2-1/2"	DBH212
	3"	DBH300
	<u>ROPE BITS</u>	
	1-5/8"	DBR158
	2"	DBR200
	2-1/2"	DBR212
	3"	DBR300
	3-1/2"	DBR312
	4"	DBR400
	<u>REAMER BITS</u>	
	3-1/2"	DR312
	4"	DR400
	<u>H-RODS</u>	
	12"	DRH12
	18"	DRH18
	24"	DRH24
	<u>ROPE RODS</u>	
	12"	DRR12
	18"	DRR18
	24"	DRR24
	<u>WEDGE ROD &amp; BIT</u>	DRT18

**Other sizes and lengths available**

**When selecting a drill bit use rope type for heavy duty use.**